

The tekmar Indoor Sensor 077 includes a 10 k Ω thermistor mounted on a white enamel steel plate to provide an accurate measurement of the indoor temperature. The 077 can be mounted flush onto a standard duplex electrical box. Wiring enters from the back. The 077 can be connected to a 10k Room Temperature Unit (RTU) for remote temperature sensing.

Installation - Indoor Sensor 077

STEP ONE — MOUNTING THE SENSOR

Check the contents of this package. If any of the contents listed are missing or damaged, please contact your wholesaler or tekmar sales representative for assistance.

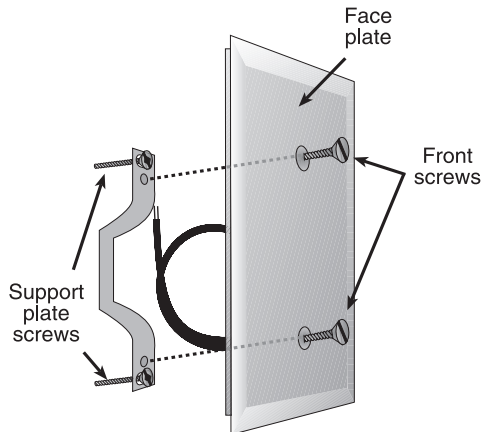
Type 077 includes: • One Indoor Sensor 077 • One Data Brochure D 077 • Two 6-32 x 3/4" screws • Two 6-32 x 1/2" screws

STEP TWO — REMOVING THE FRONT COVER

Remove the two front screws from the face plate and pull the support plate from the back of the sensor. Ensure the support plate screws do not fall off as the support plate is removed.

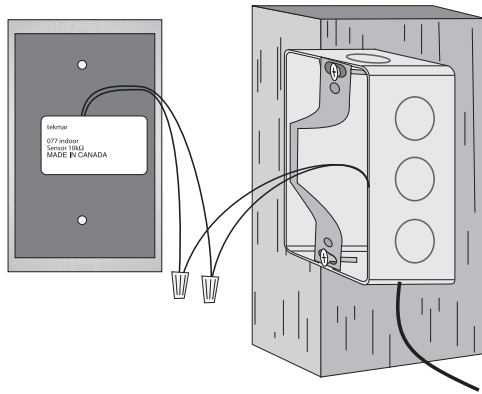
STEP THREE — MOUNTING THE SUPPORT PLATE

- The Indoor Sensor should be installed on an interior wall of the desired zone to be controlled. Do not mount the 077 in a location that may be affected by localized heat sources or cold drafts. It may be necessary to install a draft barrier and / or insulation behind the enclosure in order to prevent air from blowing through the wiring hole and affecting the Sensor reading.
- Mount the support plate to the electrical box using the two support plate screws provided.



STEP FOUR — WIRING THE INDOOR SENSOR

Run two conductor 18 AWG or similar wire between the Indoor Sensor and the terminals on the tekmar control. Insert the wires through the hole provided in the back of the indoor sensor enclosure and connect them to the indoor sensor terminal block. Do not run the wires parallel to telephone or power lines. If the indoor sensor wires are located in an area with strong sources of electromagnetic noise, shielded cable or twisted pair should be used or the wires can be run in a grounded metal conduit. If using shielded cable, one end of the shield wire should be connected to the Com-Sen terminals on the control and the other end should remain free. The shield must not be connected to earth ground. Follow the sensor testing instructions in this brochure and connect the wires to the control.



STEP FIVE — INSTALLING THE FRONT COVER

Place any extra sensor wire into the electrical box. Secure the front plate of the Indoor Sensor 077 to the support plate using the two front screws. Ensure the wiring is not pinched or crushed when replacing the front plate.

Sensor Testing Instructions

A good quality test meter capable of measuring up to 5,000 k Ω (1 k Ω = 1000 Ω) is required to measure the sensor resistance. In addition to this, the actual temperature must be measured with either a good quality digital thermometer, or if a thermometer is not available, a second sensor can be placed alongside the one to be tested and the readings compared.

First measure the temperature using the thermometer and then measure the resistance of the sensor at the control. The wires from the sensor must not be connected to the control while the test is performed. Using the chart on the following page, estimate the temperature measured by the sensor. The sensor and thermometer readings should be close. If the test meter reads a very high resistance, there may be a broken wire, a poor wiring connection or a defective sensor. If the resistance is very low, the wiring may be shorted, there may be moisture in the sensor or the sensor may be defective. To test for a defective sensor, measure the resistance directly at the sensor location.

Do not apply voltage to a sensor at any time as damage to the sensor may result.

Resistance Table

Temperature		Resistance	Temperature		Resistance	Temperature		Resistance
°F	°C	Ω	°F	°C	Ω	°F	°C	Ω
-50	-46	490,813	20	-7	46,218	90	32	7,334
-45	-43	405,710	25	-4	39,913	95	35	6,532
-40	-40	336,606	30	-1	34,558	100	38	5,828
-35	-37	280,279	35	2	29,996	105	41	5,210
-30	-34	234,196	40	4	26,099	110	43	4,665
-25	-32	196,358	45	7	22,763	115	46	4,184
-20	-29	165,180	50	10	19,900	120	49	3,760
-15	-26	139,402	55	13	17,436	125	52	3,383
-10	-23	118,018	60	16	15,311	130	54	3,050
-5	-21	100,221	65	18	13,474	135	57	2,754
0	-18	85,362	70	21	11,883	140	60	2,490
5	-15	72,918	75	24	10,501	145	63	2,255
10	-12	62,465	80	27	9,299	150	66	2,045
15	-9	53,658	85	29	8,250	155	68	1,857
						160	71	1,689
						165	74	1,538
						170	77	1,403
						175	79	1,281
						180	82	1,172
						185	85	1,073
						190	88	983
						195	91	903
						200	93	829
						205	96	763
						210	99	703
						215	102	648
						220	104	598
						225	107	553

Technical Data

INDOOR SENSOR 077

Literature	D 077
Packaged weight	0.16 lb. (72 g), baked enamel (white) on steel
Dimensions	4-1/2" H x 2-7/8" W x 1/2" D (114 x 73 x 13 mm) 3/16" D (5 mm) when installed
Operating range	Splash proof, -60 to 140°F (-50 to 60°C)
Sensor	NTC thermistor, 10 kΩ @ 77°F (25°C ±0.2°C), β=3892
Sensor Leads	1' (30 cm) 20 AWG, XPE multi strand
Backing	1/4" expanded neoprene gasket
Included	two 6-32 x 3/4" screws two 6-32 x 1/2" white cover plate screws

Limited Warranty and Product Return Procedure

Limited Warranty *The liability of tekmar under this warranty is limited. The Purchaser, by taking receipt of any tekmar Product ("Product"), acknowledges the terms of the Limited Warranty in effect at the time of such Product sale and acknowledges that it has read and understands same.*

The tekmar Limited Warranty to the Purchaser on the Products sold hereunder is a manufacturer's pass-through warranty which the Purchaser is authorized to pass through to its customers. Under the Limited Warranty, each tekmar Product is warranted against defects in workmanship and materials if the Product is installed and used in compliance with tekmar's instructions, ordinary wear and tear excepted. The pass-through warranty period is for a period of twenty-four (24) months from the production date if the Product is not installed during that period, or twelve (12) months from the documented date of installation if installed within twenty-four (24) months from the production date.

The liability of tekmar under the Limited Warranty shall be limited to, at tekmar's sole discretion: the cost of parts and labor provided by tekmar to repair defects in materials and / or workmanship of the defective product; or to the exchange of the defective product for a warranty replacement product; or to the granting of credit limited to the original cost of the defective product, and such repair, exchange or credit shall be the sole remedy available from tekmar, and, without limiting the foregoing in any way, tekmar is not responsible, in contract, tort or strict product liability, for any other losses, costs, expenses, inconveniences, or damages, whether direct, indirect, special, secondary, incidental or consequential, arising from ownership or use of the product, or from defects in workmanship or materials, including any liability for fundamental breach of contract.

The pass-through Limited Warranty applies only to those defective Products returned to tekmar during the warranty period. This Limited Warranty does not cover the cost of the parts or labor to remove or transport the defective Product, or to reinstall the repaired or replacement Product, all such costs and expenses being subject to Purchaser's agreement and warranty with its customers.

Any representations or warranties about the Products made by Purchaser to its customers which are different from or in excess of the tekmar Limited Warranty are the Purchaser's sole responsibility and obligation. Purchaser shall indemnify and hold tekmar harmless from and against any and all claims, liabilities and damages of any kind or nature which arise out of or are related to any such representations or warranties by Purchaser to its customers.

The pass-through Limited Warranty does not apply if the returned Product has been damaged by negligence by persons other than tekmar, accident, fire, Act of God, abuse or misuse; or has been damaged by modifications, alterations or attachments made subsequent to purchase which have not been authorized by tekmar; or if the Product was not installed in compliance with tekmar's instructions and / or the local codes and ordinances; or if due to defective installation of the Product; or if the Product was not used in compliance with tekmar's instructions.

THIS WARRANTY IS IN LIEU OF ALL OTHER WARRANTIES, EXPRESS OR IMPLIED, WHICH THE GOVERNING LAW ALLOWS PARTIES TO CONTRACTUALLY EXCLUDE, INCLUDING, WITHOUT LIMITATION, IMPLIED WARRANTIES OF MERCHANTABILITY AND FITNESS FOR A PARTICULAR PURPOSE, DURABILITY OR DESCRIPTION OF THE PRODUCT, ITS NON-INFRINGEMENT OF ANY RELEVANT PATENTS OR TRADEMARKS, AND ITS COMPLIANCE WITH OR NON-VIOLATION OF ANY APPLICABLE ENVIRONMENTAL, HEALTH OR SAFETY LEGISLATION; THE TERM OF ANY OTHER WARRANTY NOT HEREBY CONTRACTUALLY EXCLUDED IS LIMITED SUCH THAT IT SHALL NOT EXTEND BEYOND TWENTY-FOUR (24) MONTHS FROM THE PRODUCTION DATE, TO THE EXTENT THAT SUCH LIMITATION IS ALLOWED BY THE GOVERNING LAW.

Product Warranty Return Procedure All Products that are believed to have defects in workmanship or materials must be returned, together with a written description of the defect, to the tekmar Representative assigned to the territory in which such Product is located. If tekmar receives an inquiry from someone other than a tekmar Representative, including an inquiry from Purchaser (if not a tekmar Representative) or Purchaser's customers, regarding a potential warranty claim, tekmar's sole obligation shall be to provide the address and other contact information regarding the appropriate Representative.



tekmar Control Systems Ltd., Canada
tekmar Control Systems, Inc., U.S.A.
Head Office: 5100 Silver Star Road
Vernon, B.C. Canada V1B 3K4
(250) 545-7749 Fax. (250) 545-0650
Web Site: www.tekmarcontrols.com

Product design, software and literature
are Copyright © 2007 by:
tekmar Control Systems Ltd. and tekmar
Control Systems, Inc.

